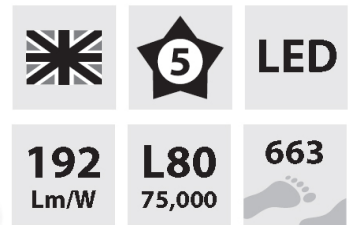


Liberty - LED Highbay



Sensor option



The Liberty has been designed to utilise the latest in high efficiency Samsung LED chip technology and has an impressive output of up to 192 lumens per watt and 28,000 lumens overall. Construction is from extruded aluminium forming a shallow robust housing and output is controlled and directed with optics designed to maximise lumen efficiencies and put light where it's needed. DALI control gear is also available as an option. The Liberty features a 1m flex to ensure ease of installation and is ideal for open warehouses with high and low racking aisles (recommended for good horizontal luminance), sports halls and general commercial areas.

Features

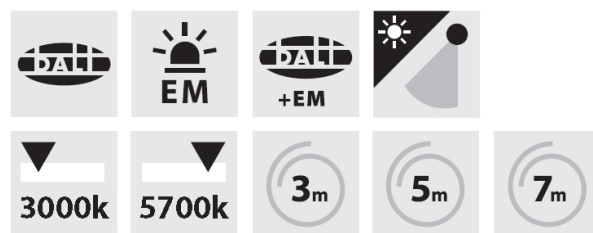


Accessories

Pre-wired cable options
Programming Handset

LSF.3, LSF.5, LSF.7
PRG.HS1

Options



D1 (Dali) - e.g. xxx.xx.xxxxx.D1
EM3 (3 Hr Emergency) - e.g. xxx.xx.xxxxx.EM3
EMD3 (3 Hr Dali Emergency) - e.g. xxx.xx.xxxxx.EMD3
S1 (Sensor) - e.g. xxx.xx.xxxxx.S1

An integral sensor is available for both Dali & Emergency options.

Variations in colour temperature 3000k (warm white) & 5700k (cool white) are available - please contact us for further details.

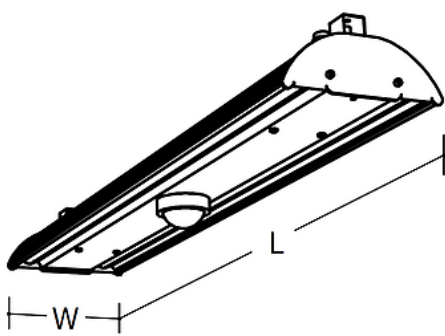
Specifications

Narrow Optics	Watts	Lumens per Watt	Delivered Lumens	LI/cW	Emergency Lumens
520.92.16200	92	192	16200	164	660
520.117.20300	117	190	20300	163	660
520.143.24100	143	186	24100	159	660
520.169.28000	169	182	28000	155	660

General Optics	Watts	Lumens per Watt	Delivered Lumens	LI/cW	Emergency Lumens
521.83.9700	92	192	13800	140	660
521.122.13300	117	190	17300	138	660
521.178.16900	143	186	20600	135	660
521.169.23800	169	182	23800	132	660

Wide Optics	Watts	Lumens per Watt	Delivered Lumens	LI/cW	Emergency Lumens
522.83.11300	92	192	16200	164	660
522.122.15400	117	190	20300	163	660
522.178.19500	143	186	24100	159	660
522.169.28000	169	182	28000	155	660

Dimensions

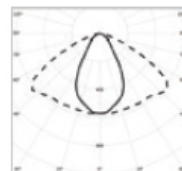


H	117mm
H (Sensor)	158mm
W	236mm
L	1176mm
KG	8.7
KG (Em)	9.3

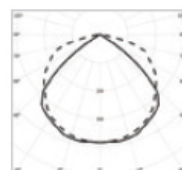
LED Performance

Colour Temp	LSF.3, LSF.5, LSF.7
Ra (CRI)	>80
Life Expectancy	L ₈₀ (75,000hrs)

Photometric Performance



- Liberty Narrow**
- 28,000 Lumens, 169W
 - LOR = 100%
 - SHR MAX = 1:1



- Liberty Wide**
- 28,000 Lumens, 169W
 - LOR = 100%
 - SHR MAX = 1.8:1

*All specifications subject to change without notice.