

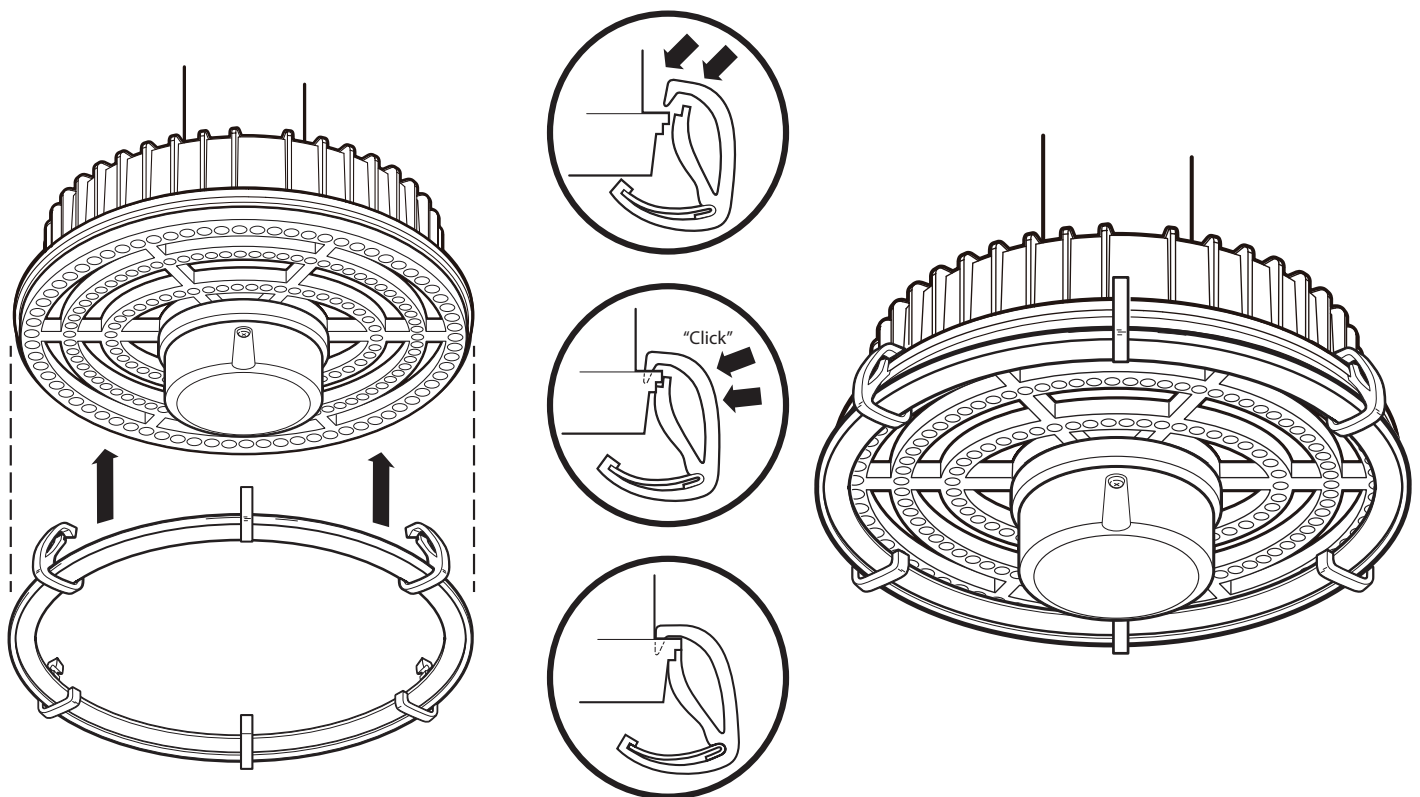
# VALTO High Bay Halo Reflector Accessory

- Industry-exclusive upright accessory
- Provides even uplighting illumination
- Halo reflector with 15% upward light



#### Optional accessory

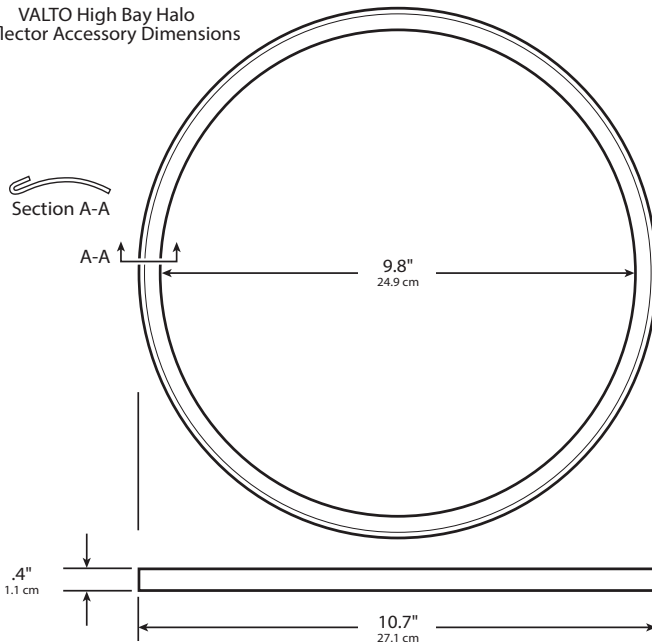
- Compatible with entire VALTO series
- Available in single quantities
- Easy, snap-on design
- Lightweight



The upward light Halo reflector can be quickly and securely mounted onto the outer rim of the lamp, by using the clips provided for an unobtrusive appearance and effective performance.

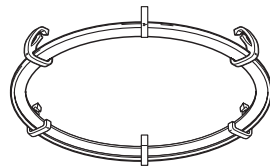
# VALTO High Bay Halo Reflector Accessory

VALTO High Bay Halo Reflector Accessory Dimensions



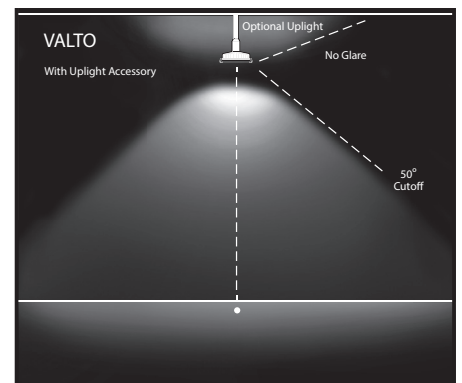
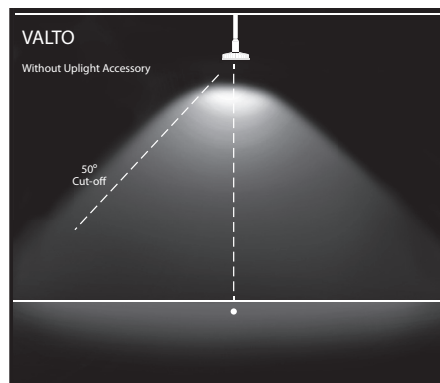
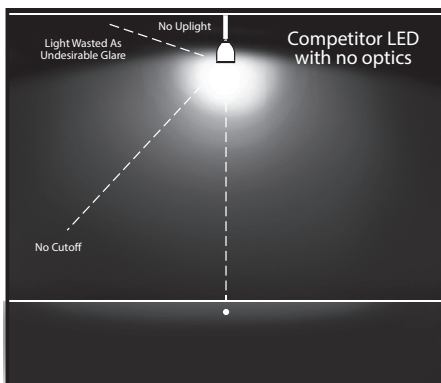
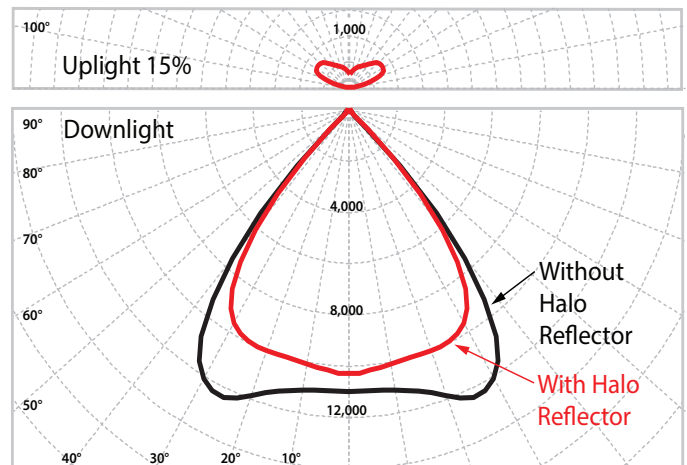
## Mechanical

- Polished aluminum reflector
- Six polycarbonate plastic clips pre-mounted on accessory
- 0.35 oz (10 grams)
- Available in single quantities



## Photometry

Highly optimised optical distribution enables excellent illuminance that matches legacy HID fixtures in average lux values and in uniformity with  $Min/Avg > 0.75$  for spacing criteria,  $SC = 0.5-1.5$ . Simultaneously, low glare is achieved with a  $50^\circ$  cut-off. Photometry is substantially maintained regardless of input voltage for the ballast bypass case or for the ballast compatible case.



## ORDERING INFORMATION

Description	Part Number
Optical Accessory 12" 15% Uplight	VAL-ACB-U12-015